

1 000 ml = 1 litre
--------------------

Term 3

**Activity 6: Capacity**

**Section A: Do the following activity with the assistance of a parent or elder.**

1. Take a 1 litre bottle. Fill the bottle with water. Now take a 250 ml cup and pour the water in the cup. How many cupfuls of water make one litre? \_\_\_\_\_
2. How many millilitres are there in  $\frac{1}{2}$  litre? \_\_\_\_\_
3. How many millilitres are there in  $\frac{1}{4}$  litre? \_\_\_\_\_

**Section B: Write which unit of measurement (ml ; l would be most suitable to measure the following:**

- a) a mug of milo \_\_\_\_\_.
- b) a bucket of water \_\_\_\_\_.
- c) water in a Jojo tank \_\_\_\_\_.
- d) a can of cooldrink \_\_\_\_\_.
- e) petrol in a tank \_\_\_\_\_.

**Section C: Write in l and ml then round off to the nearest l**

ml	l and ml	Round off to the nearest l
a) 1 579 ml	1 l 579 ml	2 l
b) 1 200 ml	1 l 200 ml	l
c) 5 502 ml		l
d)	2 l 697 ml	l
e) 8 305 ml		l
f)	3 l 5 ml	l
g) 4 151 ml		l
h) 934 ml		l
i)	7 l 25 ml	l
j)	6 l 853 ml	l

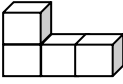
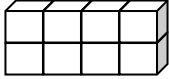
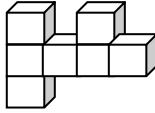
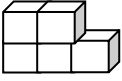
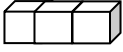
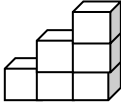
**Section D: Estimate the capacity of each of the following**

a) a cup of soup	4 ml	350 ml	4 000 ml
b) a spoon of medicine	5 ml	50 ml	500 ml
c) an electric kettle	20 ml	1 l	2 000 ml
d) a large dish	60 ml	250 ml	10 l
e) small container of yoghurt	25 ml	150 ml	1 000 ml

1 000 ml = 1 litre
--------------------

**Activity 6: Capacity and Volume**

**Section A: Look at the 3D Objects below. Count the number of cubes to find its volume. Write your answer in the space provided.**

 <p>Volume= 4 cubes</p>	 <p>Volume=</p>	 <p>Volume =</p>
 <p>Volume =</p>	 <p>Volume =</p>	 <p>Volume =</p>

**Section B: Word Problems**

- A cooldrink bottle has a capacity of **500 ml** . What is the capacity of 4 bottles?

\_\_\_\_\_

\_\_\_\_\_

- b) How many cups of juice can I pour from a 2 l bottle, if each cup holds 200 ml ?

\_\_\_\_\_

\_\_\_\_\_

**Section C: Colour in the blocks so that the sums equals 1 l.**

1 l =	200 ml	500 ml	250 ml	100 ml	50 ml
1 l =	400 ml	500 ml	600 ml	450 ml	200 ml
1 l =	800 ml	400 ml	50 ml	100 ml	50 ml
1 l =	950 ml	500 ml	250 ml	100 ml	50 ml
1 l =	200 ml	300 ml	450 ml	350 ml	50 ml

**Section D: Estimate the capacity of each of the following**

a) A glass of juice	10 ml	250 ml	750 ml
b) a teaspoon of salt	50 ml	5 ml	500 ml
c) a bucket of water	20 l	100 l	1 000 l
d) a small pond	1000 ml	5000 l	10 l
e) a can of jam	25 ml	450 ml	3 000 ml